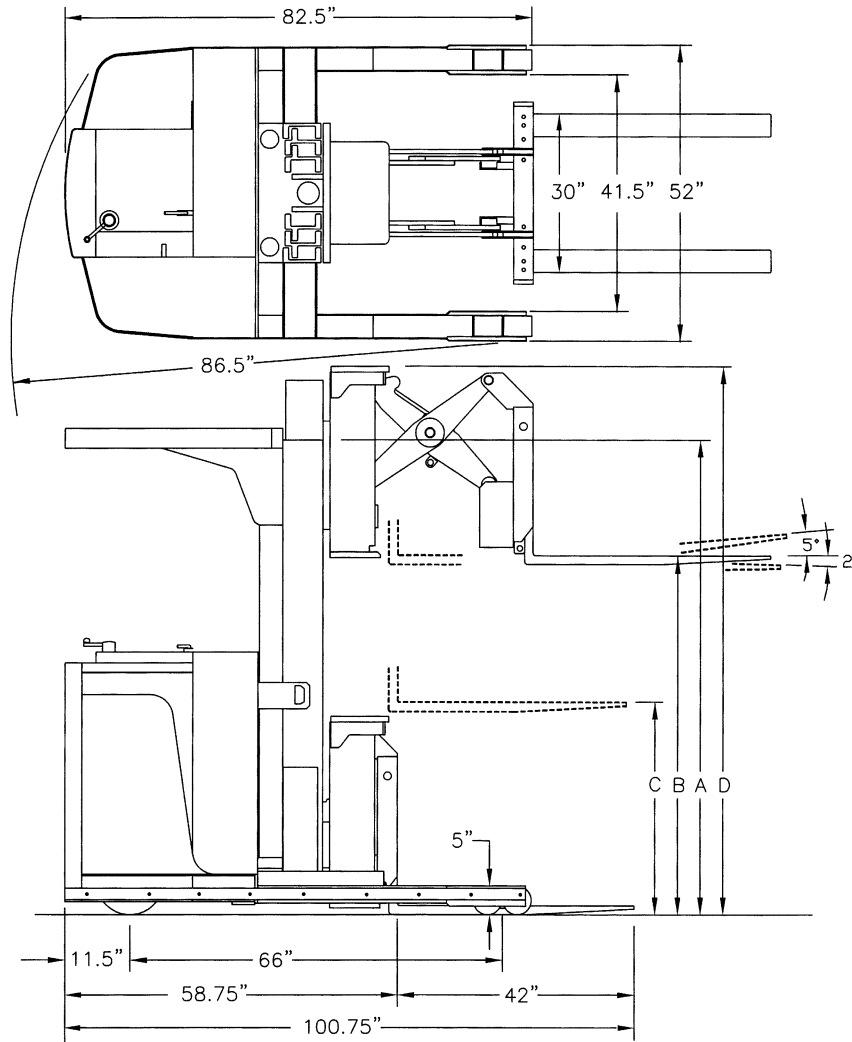


gregory Model RR-EX

Rider Reach Explosion Proof Truck Specifications for 4,000 lb. Capacity



Standard Mast Specifications (inches)

Mast Type	(A) Collapsed Height	(B) Maximum Fork Height	(C) Free Lift	(D) Overall Extended Height
Standard	71	103.5	5.5	136.5
	83	127.5	5.5	160.5
Duplex	77	115.5	43	148.5
	83	127.5	49	160.5
Triplex	77	170	43	203
	83	188	49	221
	87	198	53	231
	89	202	55	235

★ All Gregory Explosion Proof (EX) rated forklifts can be custom designed in accordance with the individual specifications of each customer.

★ Specifications on this sheet provide standard dimensions for 4,000 lb. capacity RR models. Capacities from 3,000 lb. to 6,000 lb. are available.

★ Contact the Excalibur Equipment Sales Department for custom requirements or special mast specifications.

Classified to U.S. and Canadian Safety Standards by Underwriters Laboratories Inc. for Use in Class I, Divisions 1 & 2, Groups C & D; Class II, Divisions 1 & 2, Group G; and Class III, Divisions 1 & 2 Hazardous Environments.



Rider Reach Explosion Proof Truck		
General Information	Manufacturer	Excalibur Equipment, LLC
	Model	Gregory RR4EX
	Capacity	RR4EX - 4,000 lb. at 24" Load Center
	Rating	UL Classified Explosion Proof
	Power	24 Volt Electric
	Electric Controls	Transistorized, Solid State Infinitely Variable Programmable Speed, Acceleration and Plugging Capabilities
	Hydraulic Controls	Point of Action Electric / Hydraulic Infinitely Variable
	Motors (Drive, Lift, Power Steering)	Heavy Duty Explosion Proof with Class "H" Insulation, UL Classified
	Power Steering	Hydrostatic
	Forks (Bronze Covered)	Shaft Mount 1.75 x 4.25 x 42 Other Sizes Available
	Truck Weight (Less Battery)	5,200 lb.
	Paint	Safety Yellow
Dimensions	Specifications and Mast Options Shown on Front	
Performance	Maximum Travel Speeds	4.8 mph Empty, 4.0 mph Loaded Programmable
	Lift / Lower Speeds	Standard: 55 / 75 fpm Empty 45 / 75 fpm Loaded Duplex Hi-Free Lift: 45 / 75 fpm Empty 40 / 75 fpm Loaded Triplex: 55 / 75 fpm Empty 40 / 75 fpm Loaded
	Equal Intersecting Aisle	77"
	Right Angle Stacking	110"
	Gradeability	10%
	Chassis	Wheels, Drive
Wheels, Load		(4) 5" x 3.63" Polyurethane
Brake		Deadman Foot Pedal
Underclearance		2" Standard Higher Ramp Underclearances Available
Battery and Charger Requirements	Battery Type	UL Classified Explosion Proof
	Battery Capacity	500 Amp Standard - 620 Amp Available
	Battery Compartment	11.25" x 25.6" x 34.5" Side Removal
	Battery Weight	985 lbs.
	Charger Connector	N2106 Explosion Proof

Excalibur Equipment produces a complete line of specialized Material Handling Equipment. Continuous improvements in safety, performance and durability assure customers of a quality forklift designed to meet their specifications.

All vehicles are furnished with UL mandated safety devices and under no circumstances should these devices be removed. Gregory products and specifications are subject to improvements and changes without notice and obligation on prior purchases.

Standard Features
 24 Volt System
 Battery Discharge Indicator w/ Lift Interrupt
 Sight Glass
 Battery Roller Tray
 Bronze Anti-Spark Package
 Electric Horn and Back-Up Alarm Package
 Emergency Power Disconnect
 Hourmeter
 Hydrostatic Power Steering
 Internal Mast Reeving
 Overhead Guard
 Static Conductive Drive Tires
 Transistorized Controls

Optional Features
 Epoxy Paint
 Hand Held Analyzer
 Hydraulic Attachments
 On/Off Key Switch
 Remote In-Environment Charging Station
 Stainless Steel Construction
 Strobe Light

Gregory EX Trucks are Classified to U.S. and Canadian safety standards by Underwriters Laboratories Inc. for use in **Class I, Divisions 1 & 2, Groups C & D; Class II, Divisions 1 & 2, Group G; and Class III, Divisions 1 & 2** Environments.

All Gregory EX trucks are classified by UL to the following Standards for Safety:

UL 583
 Electric-Battery-Powered Industrial Trucks

UL 1203
 Explosion Proof and Dust-Ignition-Proof Electrical Equipment for Use in Hazardous (Classified) Locations

UL 1604
 Electrical Equipment for Use in Class I and Class II, Division 2, and Class III Hazardous (Classified) Locations

EXCALIBUR EQUIPMENT, LLC

285 Eldridge Road Fairfield, NJ 07004-2508
 phone: (973) 808-8399 fax: (973) 808-8398
 www.exequipment.com
 sales@exequipment.com