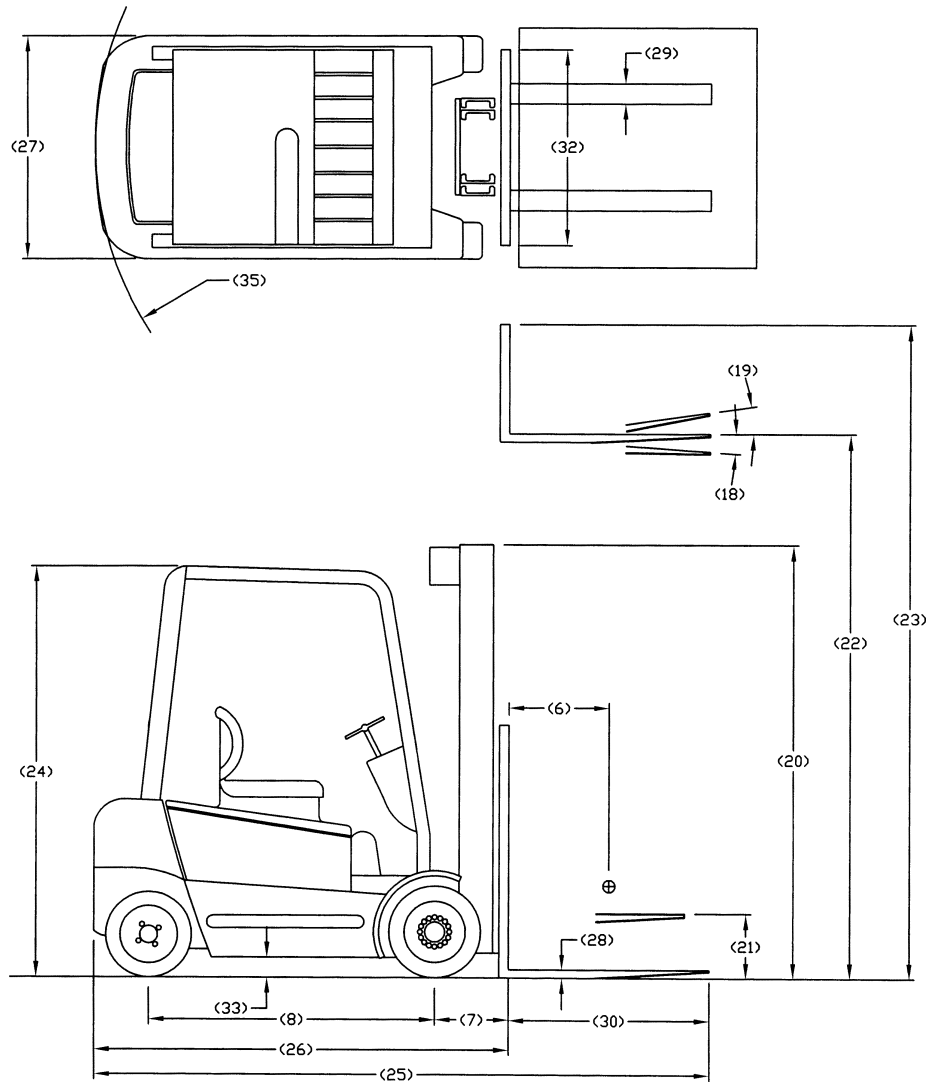


gregory Model RSC-EX

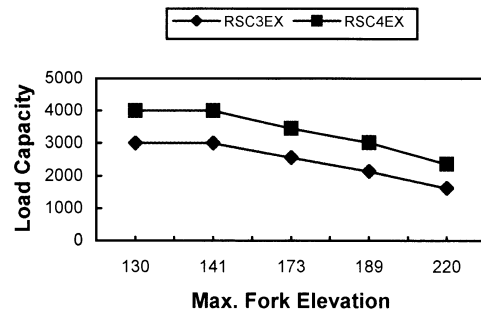
Rider Sitdown Counterbalanced Explosion Proof Truck Specifications for 3,000 lb., and 4,000 lb. Capacities



Mast Table *			Load Capacity	
Collapsed Height	Max. Fork Elevation	Free Lift	RSC3EX	RSC4EX
88	130	5	3000	4000
93	141	70	3000	4000
78	173	55	2560	3460
84	189	61	2140	3020
96	220	72	1620	2360

* Other mast sizes are available

** Capacity to 24" Load Center



Excalibur Equipment produces a complete line of specialized Material Handling Equipment. Continuous improvements in safety, performance and durability assure customers of a quality forklift designed to meet their specifications.

All vehicles are furnished with mandated safety devices and under no circumstances should these devices be removed. Gregory products and specifications are subject to improvements and changes without notice and obligation on prior purchases.

EXCALIBUR
EQUIPMENT, LLC

285 Eldridge Road Fairfield, NJ 07004-2508
phone: (973) 808-8399 fax: (973) 808-8398
www.exequipment.com
sales@exequipment.com

GREGORY EX-RATED EXPLOSION PROOF TRUCKS					
Characteristic	1	Manufacturer		EXCALIBUR EQUIPMENT	
	2	Manufacturer's model designation		RSC3EX	RSC4EX
	3	Power supply: Electric (EX), Diesel (DX)	type	EX	EX
	4	Operation	type	Seated	Seated
	5	Load capacity *	lb.	3000	4000
	6	Load center	in.	24	24
	7	Load distance	in.	15	16 5/8
	8	Wheelbase	in.	51	55
Weights	9	Unloaded weight	lb.	6,620	7,172
	10	Axle weight loaded, front	lb.	9,834	10,626
	11	Axle weight loaded, rear	lb.	976	976
	12	Axle weight unloaded, front	lb.	3,080	3,227
	13	Axle weight unloaded, rear	lb.	3,740	3,945
Wheels & Tires	14	Pneu. (P), Solid Pneu. (SP), Cushion (C)	type	SP	SP
	15	Tire, drive - front	in.	18 x 7/8	200/50-10
	16	Tire, steer - rear	in.	16 x 6/8	16 x 6/8
	17	Wheels: front/rear	#	2 / 2	2 / 2
Dimensions	18	Tilt angle, forward	deg	4	4
	19	Tilt angle, rear	deg	8	8
	20	Collapsed height	in.	88	88
	21	Free lift	in.	5	5
	22	Max. fork elevation	in.	130	130
	23	Mast raised height	in.	178	178
	24	Overhead guard height	in.	80	80
	25	Overall length	in.	120	125
	26	Length to front face of forks	in.	78	83
	27	Overall width	in.	44	46
	28	Fork thickness	in.	2.25	2.25
	29	Fork width	in.	4.25	4.25
	30	Fork length	in.	42	42
	31	Fork carriage	class	ISO2A	ISO2A
	32	Fork carriage width	in.	39	39
	33	Underclearance	in.	4	4
	34	Right angle stacking	in.	78 + Load	84 + Load
	35	Turning radius	in.	63	67
Performance	36	Speed loaded	mph	8	8
	37	Speed unloaded	mph	9	8.4
	38	Lift speed loaded	fpm	98.4	88.8
	39	Lift speed unloaded	fpm	118	118
	40	Lowering speed loaded	fpm	98.4	98.4
	41	Lowering speed unloaded	fpm	88.8	88.8
	42	Gradeability loaded	%	11	9
	43	Gradeability unloaded	%	14	13
44	Brakes: service/parking	type	Hyd./Man.	Hyd./Man.	
Motors	45	Drive motor (60 min. rating)	hp	2 x 6.5	2 x 6.5
	46	Hoist motor (60 min. rating)	hp	12	12
	47	Battery voltage	V	48	48
	48	Battery capacity	Ah	525	525
	49	Battery weight	lb.	1,694	1,694
Engine	50	Manufacturer		N/A	N/A
	51	Engine output	hp	N/A	N/A
	52	Max. rated speed	rpm	N/A	N/A
	53	Steering	type	N/A	N/A
	54	Transmission	type	N/A	N/A
Other	55	Drive control	type	inv.ac	inv.ac
	56	Average noise peak at operator's ears	dB(A)	<68	<68
	57	Trailer coupling, type/DIN	type	pin	pin

* Higher capacities are available.

Due to continuous product improvements, specifications are subject to change without notice or obligation.