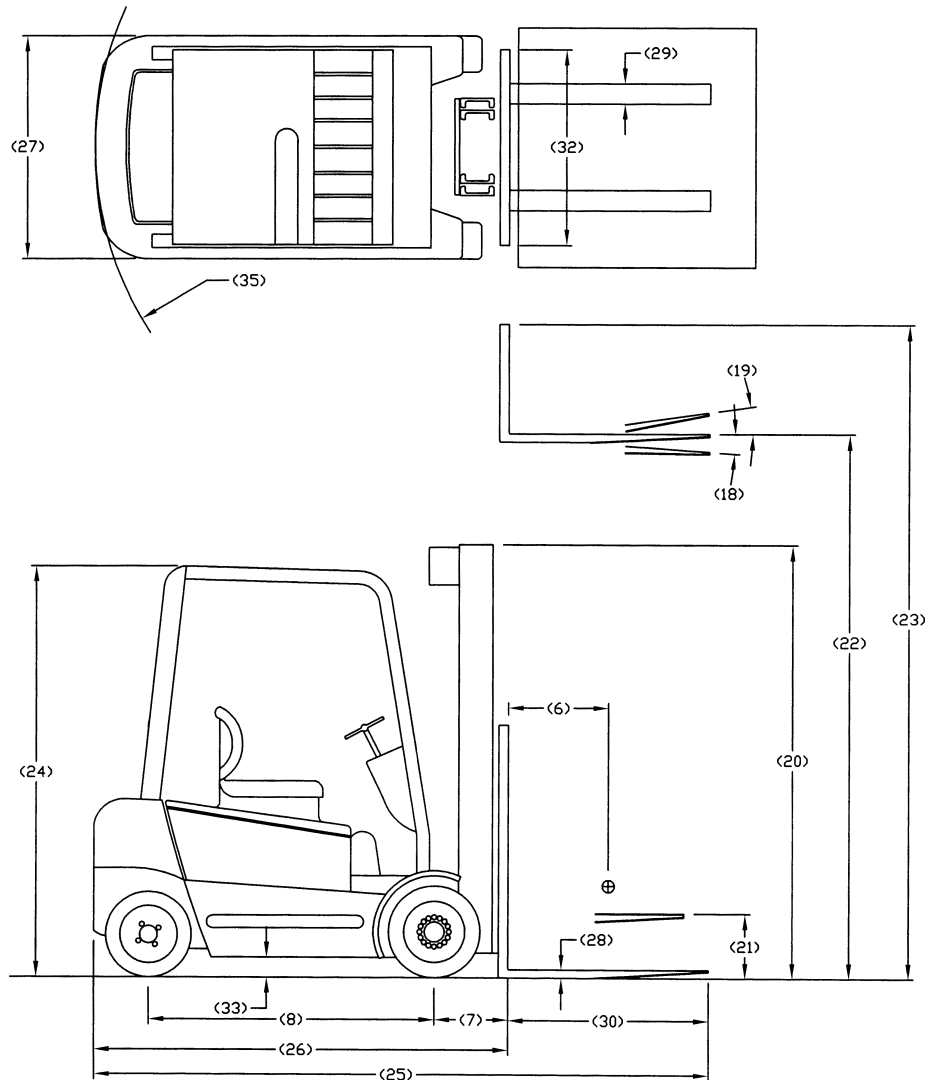


gregory Model RSC-EX

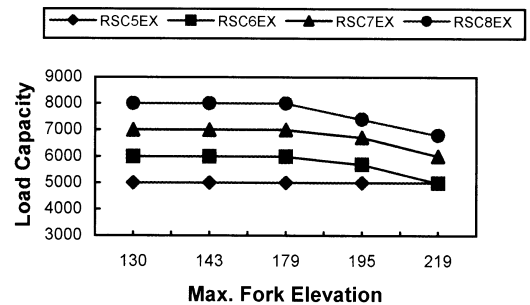
Rider Sitdown Counterbalanced Explosion Proof Truck Specifications for 5,000 lb., 6,000 lb., 7,000 lb., and 8,000 lb. Capacities



Mast Table *			Load Capacity Table**			
Collapsed Height	Max. Fork Elevation	Free Lift	RSC5EX	RSC6EX	RSC7EX	RSC8EX
87	130	5 1/2	5000	6000	7000	8000
93	143	70	5000	6000	7000	8000
81	179	58	5000	6000	7000	8000
87	195	64	5000	5700	6720	7400
96	219	73	5000	5000	6020	6800

* Other mast sizes are available

** Capacity to 24" Load Center



Excalibur Equipment produces a complete line of specialized Material Handling Equipment. Continuous improvements in safety, performance and durability assure customers of a quality forklift designed to meet their specifications.

All vehicles are furnished with mandated safety devices and under no circumstances should these devices be removed. Gregory products and specifications are subject to improvements and changes without notice and obligation on prior purchases.

EXCALIBUR
EQUIPMENT, LLC

285 Eldridge Road Fairfield, NJ 07004-2508
phone: (973) 808-8399 fax: (973) 808-8398
www.exequipment.com
sales@exequipment.com

GREGORY EX-RATED EXPLOSION PROOF TRUCKS

Characteristic	1	Manufacturer	EXCALIBUR EQUIPMENT				
				RSC5EX	RSC6EX	RSC7EX	RSC8EX
Characteristic	2	Manufacturer's model designation		RSC5EX	RSC6EX	RSC7EX	RSC8EX
	3	Power supply: Electric (EX), Diesel (DX)	type	EX	EX	EX	EX
	4	Operation	type	Seated	Seated	Seated	Seated
	5	Load capacity *	lb.	5,000	6,000	7,000	8,000
	6	Load center	in.	24	24	24	24
	7	Load distance	in.	18	18	18	20
	8	Wheelbase	in.	59	64	70	77
	Weights	9	Unloaded weight	lb.	8,800	10,120	10,780
10		Axle weight loaded, front	lb.	13420	15,840	17,600	21,780
11		Axle weight loaded, rear	lb.	880	880	880	1,540
12		Axle weight unloaded, front	lb.	3960	4,400	5,060	6,060
13		Axle weight unloaded, rear	lb.	7040	5,720	5,720	7,854
Wheels & Tires	14	Pneu. (P), Solid Pneu. (SP), Cushion (C)	type	SP	SP	SP	SP
	15	Tire, drive - front	in.	23 x 9/9	23 x 9/10	23 x 9/12	250-15
	16	Tire, steer - rear	in.	18 x 7/7	18 x 7/8	18 x 7/8	23 x 9/10
	17	Wheels: front/rear	#	2 / 2	2 / 2	2 / 2	2 / 2
Dimensions	18	Tilt angle, forward	deg	5	5	5	5
	19	Tilt angle, rear	deg	9	9	9	9
	20	Collapsed height	in.	88	87	88	92
	21	Free lift	in.	5 1/2	5 1/2	5 1/2	0
	22	Max. fork elevation	in.	130	130	130	130
	23	Mast raised height	in.	178	178	178	178
	24	Overhead guard height	in.	85	85	85	89
	25	Overall length	in.	133	138	144	155
	26	Length to front face of forks	in.	91	96	102	113
	27	Overall width	in.	46	46	46	54
	28	Fork thickness	in.	2.25	2.75	2.75	2.75
	29	Fork width	in.	4.25	5.25	6.25	6.25
	30	Fork length	in.	42	42	42	42
	31	Fork carriage	class	ISO3A	ISO3A	ISO3A	ISO3A
	32	Fork carriage width	in.	39	45	45	45
	33	Underclearance	in.	5	5	5	6
	34	Right angle stacking	in.	104 + Load	109 + Load	114 + Load	126 + Load
	35	Turning radius	in.	86	91	96	106
Performance	36	Speed loaded	mph	6	6	5	6
	37	Speed unloaded	mph	8	8	7	8
	38	Lift speed loaded	fpm	98	89	89	79
	39	Lift speed unloaded	fpm	118	118	118	98
	40	Lowering speed loaded	fpm	98	98	89	98
	41	Lowering speed unloaded	fpm	89	89	79	79
	42	Gradeability loaded	%	8	8	7	6
	43	Gradeability unloaded	%	15	15	14	10
	44	Brakes: service/parking	type	Hyd./Man.	Hyd./Man.	Hyd./Man.	Hyd./Man.
Motors	45	Drive motor (60 min. rating)	hp	16	16	16	16
	46	Hoist motor (60 min. rating)	hp	16	16	16	20
	47	Battery voltage	V	72	72	72	80
	48	Battery capacity	Ah	465	620	775	775
	49	Battery weight	lb.	2,750	3,300	4,290	4,290
Engine	50	Manufacturer		N/A	N/A	N/A	N/A
	51	Engine output	hp	N/A	N/A	N/A	N/A
	52	Max. rated speed	rpm	N/A	N/A	N/A	N/A
	53	Steering	type	N/A	N/A	N/A	N/A
	54	Transmission	type	MOSFET	MOSFET	MOSFET	MOSFET
Other	55	Drive control	type	dc	dc	dc	dc
	56	Average noise peak at operator's ears	dB(A)	<68	<68	<68	<68
	57	Trailer coupling, type/DIN	type	pin	pin	pin	pin

* Higher capacities are available.

Due to continuous product improvements, specifications are subject to change without notice or obligation.