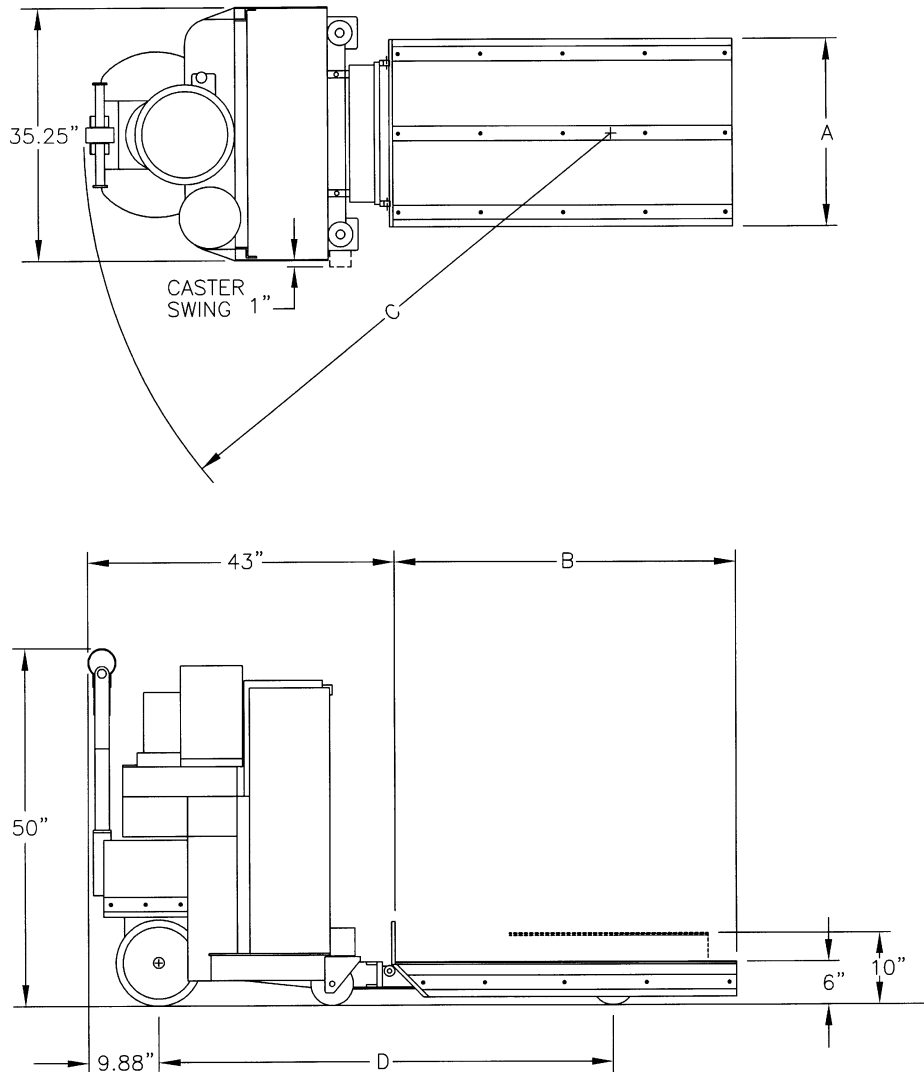


# gregory Model WPL-EX

## Walkie Platform Explosion Proof Truck Specifications for 4,000 lb. and 6,000 lb. Capacities



★ All Gregory Explosion Proof (EX) rated forklifts can be custom designed in accordance with the individual specifications of each customer.

★ Specifications on this sheet provide standard dimensions for 4,000 lb. and 6,000 lb. capacity WPL models. Capacities to 40,000 lb. are available.

★ Contact the Excalibur Equipment Sales Department for custom requirements or special platform sizes.

### Standard Specifications (inches)

Platform Sizes	(A) Width <sup>1</sup>	(B) Length <sup>2</sup>	(C) Turning Radius	(D) Wheelbase
26 x 42	26	42	58	68
26 x 48	26	48	64	74
26 x 54	26	54	70	80

<sup>1</sup> Standard Widths from 26" to 48" in 2" increments

<sup>2</sup> Standard Lengths from 36" to 78" in 6" increments

Classified to U.S. and Canadian Safety Standards by Underwriters Laboratories Inc. for Use in Class I, Divisions 1 & 2, Groups C & D; Class II, Divisions 1 & 2, Group G; and Class III, Divisions 1 & 2 Hazardous Environments.



Walkie Platform Explosion Proof Truck		
<b>General Information</b>	<b>Manufacturer</b>	Excalibur Equipment, LLC
	<b>Model</b>	Gregory WPL4EX and WPL6EX
	<b>Capacity</b>	WPL4EX - 4,000 lb. at 24" Load Center WPL6EX - 6,000 lb. at 24" Load Center
	<b>Rating</b>	UL Classified Explosion Proof
	<b>Power</b>	24 Volt Electric
	<b>Electric Controls</b>	Transistorized, Solid State Infinitely Variable Programmable Speed, Acceleration and Plugging Capabilities
	<b>Hydraulic Controls</b>	Point of Action Electric / Hydraulic Infinitely Variable
	<b>Motors (Drive, Lift)</b>	Heavy Duty Explosion Proof with Class "H" Insulation, UL Classified
	<b>Platform</b>	Heavy Duty Reinforced Steel
	<b>Truck Weight (Less Battery)</b>	1,725 lbs.
	<b>Paint</b>	Safety Yellow
<b>Dimensions</b>	<b>Specifications and Platform Options Shown on Front</b>	
<b>Performance</b>	<b>Maximum Travel Speeds</b>	4.8 mph Empty, 4 mph Loaded Programmable
	<b>Equal Intersecting Aisle</b>	70" based on a 48" Platform Length
	<b>Right Angle Stacking</b>	94" based on a 48" Platform Length
	<b>Gradeability</b>	10%
<b>Chassis</b>	<b>Wheels, Drive</b>	(2) 12" x 3.5" Static Conductive Rubber
	<b>Wheels, Load</b>	(2) 6" x 4" High Durometer Polyurethane
	<b>Wheels, Caster</b>	(2) 6" x 3" High Durometer Polyurethane
	<b>Brake</b>	Spring Loaded Handle Return Heavy Duty Disc Brake
	<b>Underclearance</b>	1" Standard Higher Ramp Underclearances Available
<b>Battery and Charger Requirements</b>	<b>Battery Type</b>	UL Classified Explosion Proof
	<b>Battery Capacity</b>	500 Amp Standard - 620 Amp Available
	<b>Battery Compartment</b>	11.25" x 34.75" x 34.25" Overhead Removal
	<b>Battery Weight</b>	985 lbs.
	<b>Charger Connector</b>	N2106 Explosion Proof

Excalibur Equipment produces a complete line of specialized Material Handling Equipment. Continuous improvements in safety, performance and durability assure customers of a quality forklift designed to meet their specifications.

All vehicles are furnished with UL mandated safety devices and under no circumstances should these devices be removed. Gregory products and specifications are subject to improvements and changes without notice and obligation on prior purchases.

<p><b>Standard Features</b></p> <ul style="list-style-type: none"> <li>24 Volt System</li> <li>Articulated Chassis</li> <li>Battery Discharge Indicator w/ Lift Interrupt</li> <li>Sight Glass</li> <li>Bronze Anti-Spark Package</li> <li>Emergency Power Disconnect</li> <li>Hourmeter</li> <li>Polyurethane Load and Caster Wheels</li> <li>Static Conductive Drive Tires</li> <li>Transistorized Controls</li> </ul> <p><b>Optional Features</b></p> <ul style="list-style-type: none"> <li>12 Volt System (shortens wheelbase)</li> <li>Battery Roller Tray</li> <li>Electric Horn and Back-Up Alarm Package</li> <li>Epoxy Paint</li> <li>Hand Held Analyzer</li> <li>On/Off Key Switch</li> <li>Operator Toe Guard</li> <li>Remote In-Environment Charging Station</li> <li>Skid Adapter</li> <li>Stainless Steel Construction</li> <li>Strobe Light (pedestal mounted)</li> <li>Uni-Frame Construction (shortens wheelbase)</li> </ul>
--

**Gregory EX Trucks** are Classified to U.S. and Canadian safety standards by Underwriters Laboratories Inc. for use in **Class I, Divisions 1 & 2, Groups C & D; Class II, Divisions 1 & 2, Group G; and Class III, Divisions 1 & 2** Environments.

All Gregory EX trucks are classified by UL to the following Standards for Safety:

**UL 583**

Electric-Battery-Powered Industrial Trucks

**UL 1203**

Explosion Proof and Dust-Ignition-Proof Electrical Equipment for Use in Hazardous (Classified) Locations

**UL 1604**

Electrical Equipment for Use in Class I and Class II, Division 2, and Class III Hazardous (Classified) Locations

# EXCALIBUR EQUIPMENT, LLC

285 Eldridge Road Fairfield, NJ 07004-2508  
 phone: (973) 808-8399 fax: (973) 808-8398  
[www.exequipment.com](http://www.exequipment.com)  
[sales@exequipment.com](mailto:sales@exequipment.com)