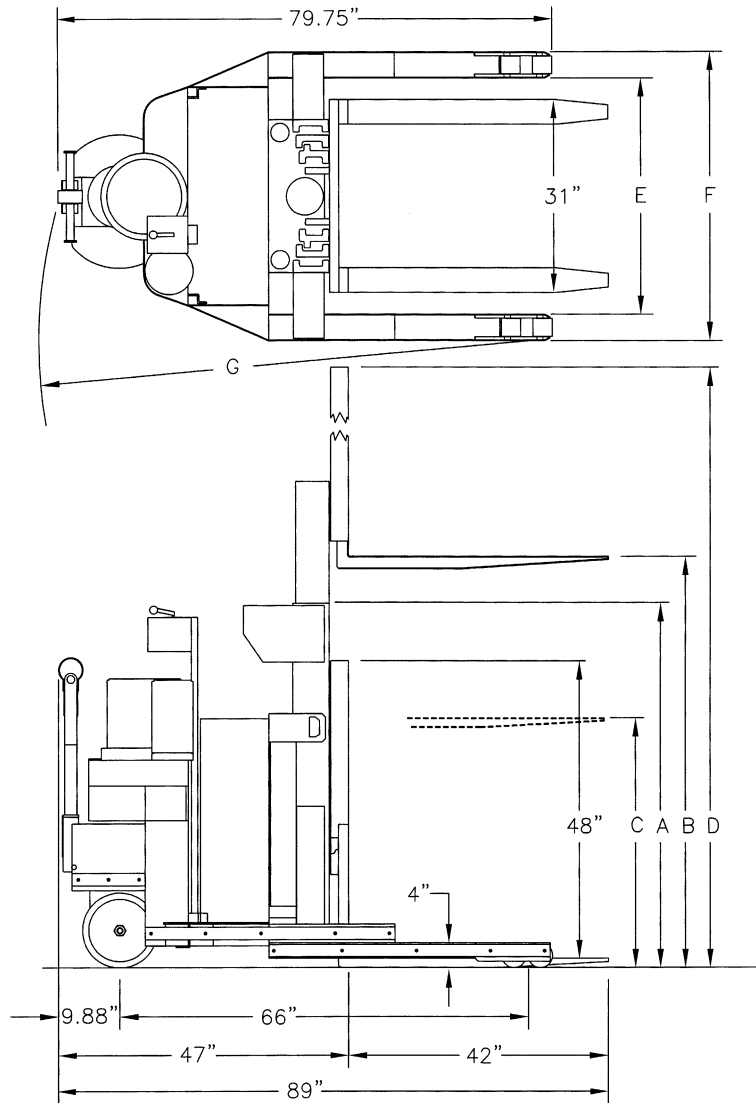


gregory Model WS-EX

Walkie Stacker Explosion Proof Truck Specifications for 3,000 lb. and 4,000 lb. Capacities



Standard Mast Specifications (inches)

| Mast Type | (A) Collapsed Height | (B) Maximum Fork Height | (C) Free Lift | (D) Overall Extended Height |
|-----------|-------------------------|----------------------------|------------------|--------------------------------|
| Standard | 71 | 103.5 | 5.5 | 151.5 |
| | 83 | 127.5 | 5.5 | 175.5 |
| Duplex | 77 | 115.5 | 52.9 | 163.5 |
| | 83 | 127.5 | 58.9 | 175.5 |
| Triplex | 77 | 170 | 52.9 | 218 |
| | 83 | 188 | 58.9 | 236 |
| | 87 | 198 | 62.9 | 246 |
| | 89 | 202 | 64.9 | 250 |

Base Leg Specifications (inches)

| Pallet Width | (E) In to In | (F) Out to Out | (G) Turning Radius | Right Angle Stacking |
|--------------|-----------------|-------------------|-----------------------|----------------------|
| 36 | 38 | 46.5 | 79 | 92 |
| 40 | 42 | 50.5 | 79.5 | 92.5 |
| 42 | 44 | 52.5 | 80.5 | 93.5 |
| 48 | 50 | 58.5 | 81.5 | 94.5 |

★ Contact the Sales Department for custom requirements or other pallet width dimensions. Capacities to 12,000 lb. are available.

Classified to U.S. and Canadian Safety Standards by Underwriters Laboratories Inc. for Use in Class I, Divisions 1 & 2, Groups C & D; Class II, Divisions 1 & 2, Group G; and Class III, Divisions 1 & 2 Hazardous Environments.



Walkie Stacker Explosion Proof Truck

| | | |
|---|---|--|
| General Information | Manufacturer | Excalibur Equipment, LLC |
| | Model | Gregory WS3EX and WS4EX |
| | Capacity | WS3EX - 3,000 lb. at 24" Load Center WS4EX - 4,000 lb. at 24" Load Center |
| | Rating | UL Classified Explosion Proof |
| | Power | 24 Volt Electric |
| | Electric Controls | Transistorized, Solid State Infinitely Variable Programmable Speed, Acceleration and Plugging Capabilities |
| | Hydraulic Controls | Point of Action Electric / Hydraulic Infinitely Variable |
| | Motors (Drive, Lift) | Heavy Duty Explosion Proof with Class "H" Insulation, UL Classified |
| | Forks (Bronze Covered) | Class II 1.75 x 4.25 x 42 Other Sizes Available |
| | Truck Weight (Less Battery) | 2,825 lb. |
| | Paint | Safety Yellow |
| Dimensions | Specifications and Mast Options Shown on Front | |
| Performance | Maximum Travel Speeds | 4.8 mph Empty, 4 mph Loaded Programmable |
| | Lift / Lower Speeds | Standard: 55 / 35 fpm Empty 45 / 50 fpm Loaded Duplex Hi-Free Lift: 55 / 40 fpm Empty 40 / 50 fpm Loaded Triplex: 55 / 40 fpm Empty 40 / 55 fpm Loaded |
| | Equal Intersecting Aisle | 75" |
| | Gradeability | 10% |
| | Chassis | Wheels, Drive |
| | Wheels, Load | (4) 4" x 2.88" Polyurethane |
| | Brake | Spring Loaded Handle Return Heavy Duty Disc Brake |
| | Underclearance | 1.5" Standard Higher Ramp Underclearances Available |
| Battery and Charger Requirements | Battery Type | UL Classified Explosion Proof |
| | Battery Capacity | 500 Amp Standard - 620 Amp Available |
| | Battery Compartment | 11.25" x 34.75" x 34.25" Overhead Removal |
| | Battery Weight | 985 lbs. |
| | Charger Connector | N2106 Explosion Proof |

Excalibur Equipment produces a complete line of specialized Material Handling Equipment. Continuous improvements in safety, performance and durability assure customers of a quality forklift designed to meet their specifications.

All vehicles are furnished with UL mandated safety devices and under no circumstances should these devices be removed. Gregory products and specifications are subject to improvements and changes without notice and obligation on prior purchases.

- Standard Features**
- 24 Volt System
 - Battery Discharge Indicator w/ Lift Interrupt
 - Sight Glass
 - Bronze Anti-Spark Package
 - Emergency Power Disconnect
 - Hourmeter
 - Internal Mast Reaving
 - Load Backrest
 - Static Conductive Drive Tires
 - Transistorized Controls
- Optional Features**
- Battery Roller Tray
 - Electric Horn and Back-Up Alarm Package
 - Epoxy Paint
 - Hand Held Analyzer
 - Hydraulic Attachments
 - On/Off Key Switch
 - Operator Toe Guard
 - Remote In-Environment Charging Station
 - Stainless Steel Construction
 - Strobe Light

Gregory EX Trucks are Classified to U.S. and Canadian safety standards by Underwriters Laboratories Inc. for use in **Class I, Divisions 1 & 2, Groups C & D; Class II, Divisions 1 & 2, Group G; and Class III, Divisions 1 & 2** Environments.

All Gregory EX trucks are classified by UL to the following Standards for Safety:

UL 583
Electric-Battery-Powered Industrial Trucks

UL 1203
Explosion Proof and Dust-Ignition-Proof Electrical Equipment for Use in Hazardous (Classified) Locations

UL 1604
Electrical Equipment for Use in Class I and Class II, Division 2, and Class III Hazardous (Classified) Locations

EXCALIBUR EQUIPMENT, LLC

285 Eldridge Road Fairfield, NJ 07004-2508
 phone: (973) 808-8399 fax: (973) 808-8398
 www.exequipment.com
 sales@exequipment.com