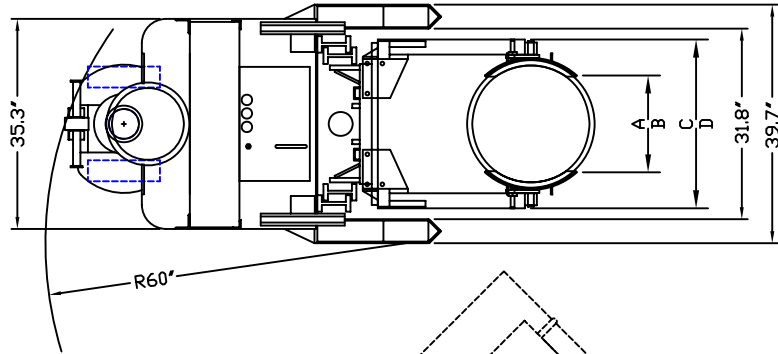


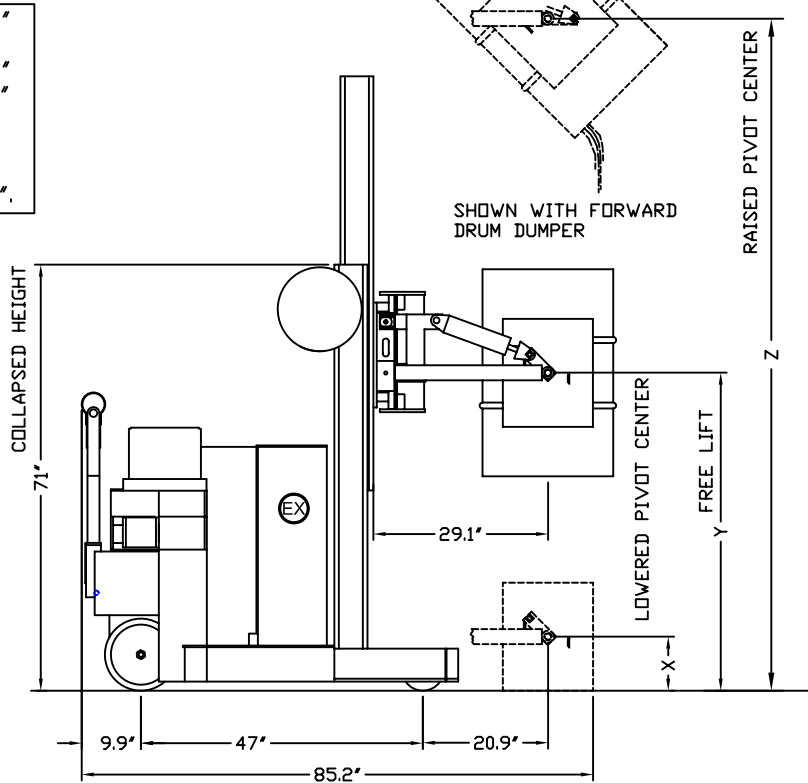


**MODEL # WSCLEX
WALKIE STACKER
CLAMP**



A INNER MAX OPENNING RANGE 24.0"
 B INNER MIN OPENNING RANGE 11.0"
 C OUTER MAX OPENNING RANGE 36.5"
 D OUTER MIN OPENNING RANGE 23.5"
 (SAMPLE RANGE SHOWN)

ROOM REQUIRED TO CLAMP &
 RELEASE, DRUM DIAMETER PLUS 13".



A-D, X-Z ARE VARIABLES TO MEET
 CUSTOMER REQUIREMENTS.

CAPACITIES TO 1,500 LB.

UL OF USA

POWER OPERATED INDUSTRIAL TRUCK
 CLASSIFIED BY UNDERWRITERS LABORATORIES INC. AS TO FIRE,
 ELECTRIC SHOCK AND EXPLOSION HAZARDS
 CLASS I GROUP C & D, CLASS II GROUP G, & CLASS III, HAZARDOUS LOCATIONS
TYPE EX INDUSTRIAL TRUCK
 OPERATING TEMPERATURE CODE T3B NO. D-

EXCALIBUR EQUIPMENT, LLC.
GREGORY INDUSTRIAL TRUCKS. FAIRFIELD, NJ 07004

UL OF CANADA

UNDERWRITERS' LABORATORIES OF CANADA
LISTED POWER INDUSTRIAL TRUCK
 TYPE EX NO. C

INVESTIGATED WITH RESPECT TO FIRE, ELECTRICAL SHOCK
 AND EXPLOSION HAZARDS.
 (CLASS I GROUP C & D, CLASS II GROUP G, & CLASS III)

EXCALIBUR EQUIPMENT, LLC.
GREGORY INDUSTRIAL TRUCKS. FAIRFIELD, NJ 07004

Class I Group C & D Locations-

Locations in which flammable gases or vapors are, or may be, present in the air in quantities sufficient to produce explosive or ignitable mixtures, such as: Ethylene, Diethyl Ether, Methyl Ether, Gasoline, Naphtha, Alcohols, Acetone, Lacquer Solvent, Benzene, etc.

Class II Group G Locations-

Locations which are hazardous because of the presence of combustibile dust, such as: Grain Dust, Flour Dust, Starch Dust, Organic Dust, etc.